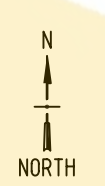
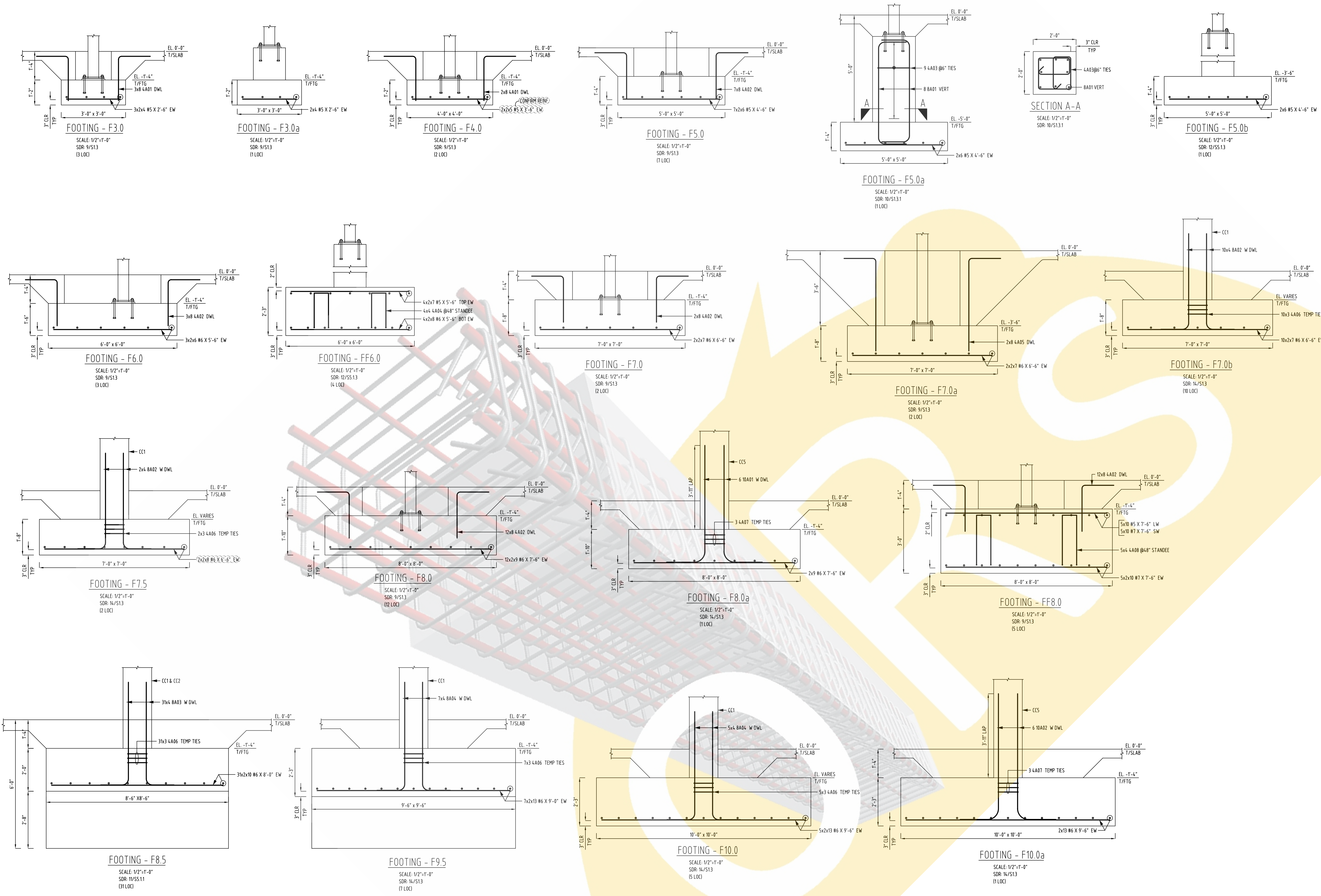


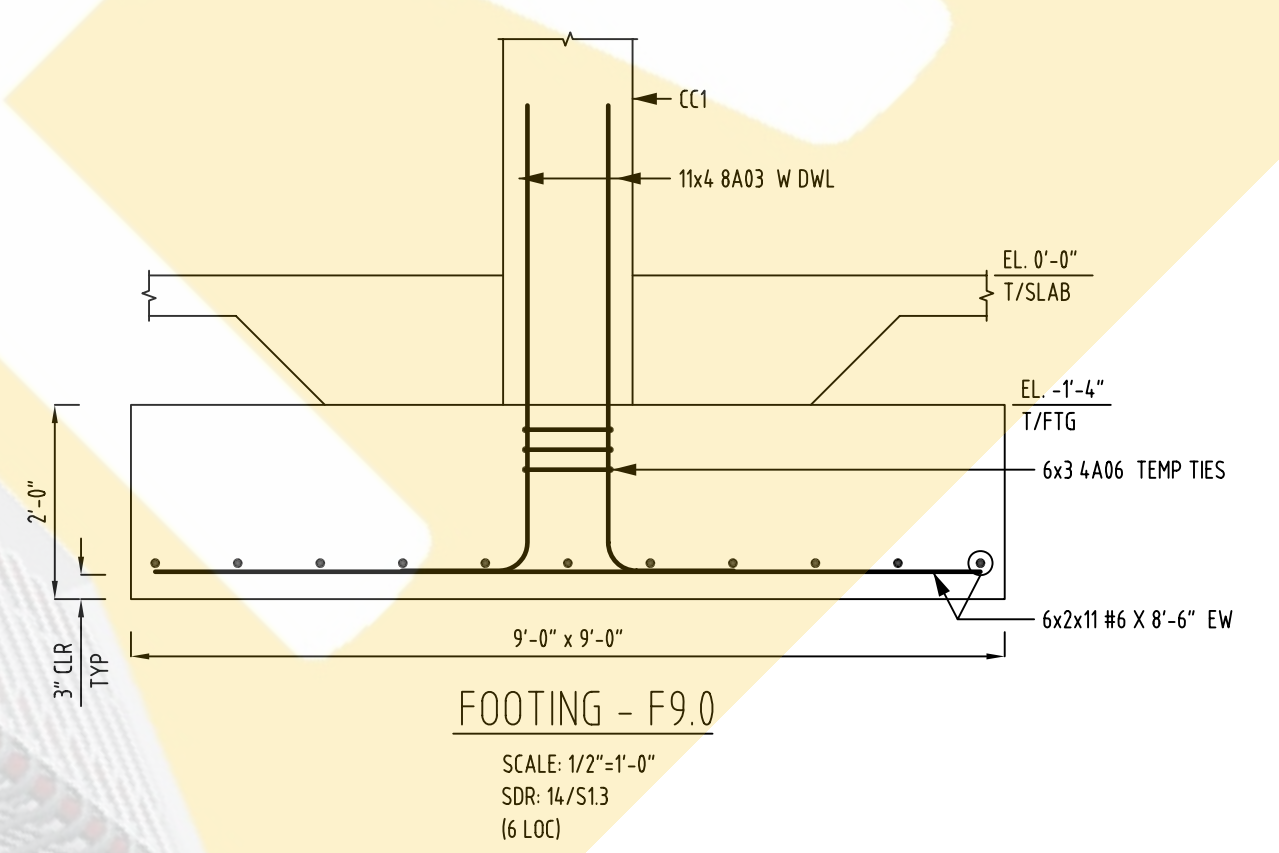
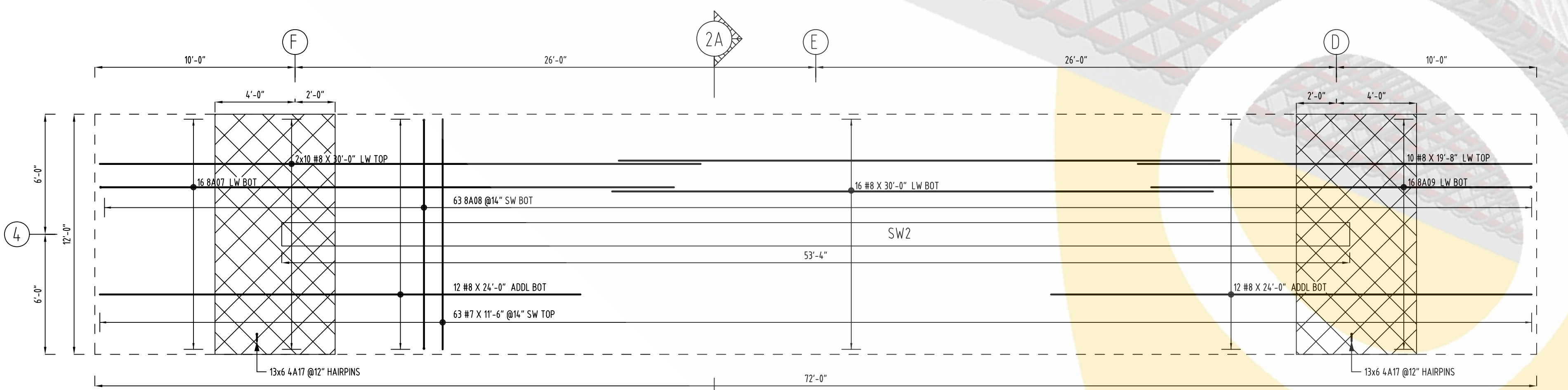
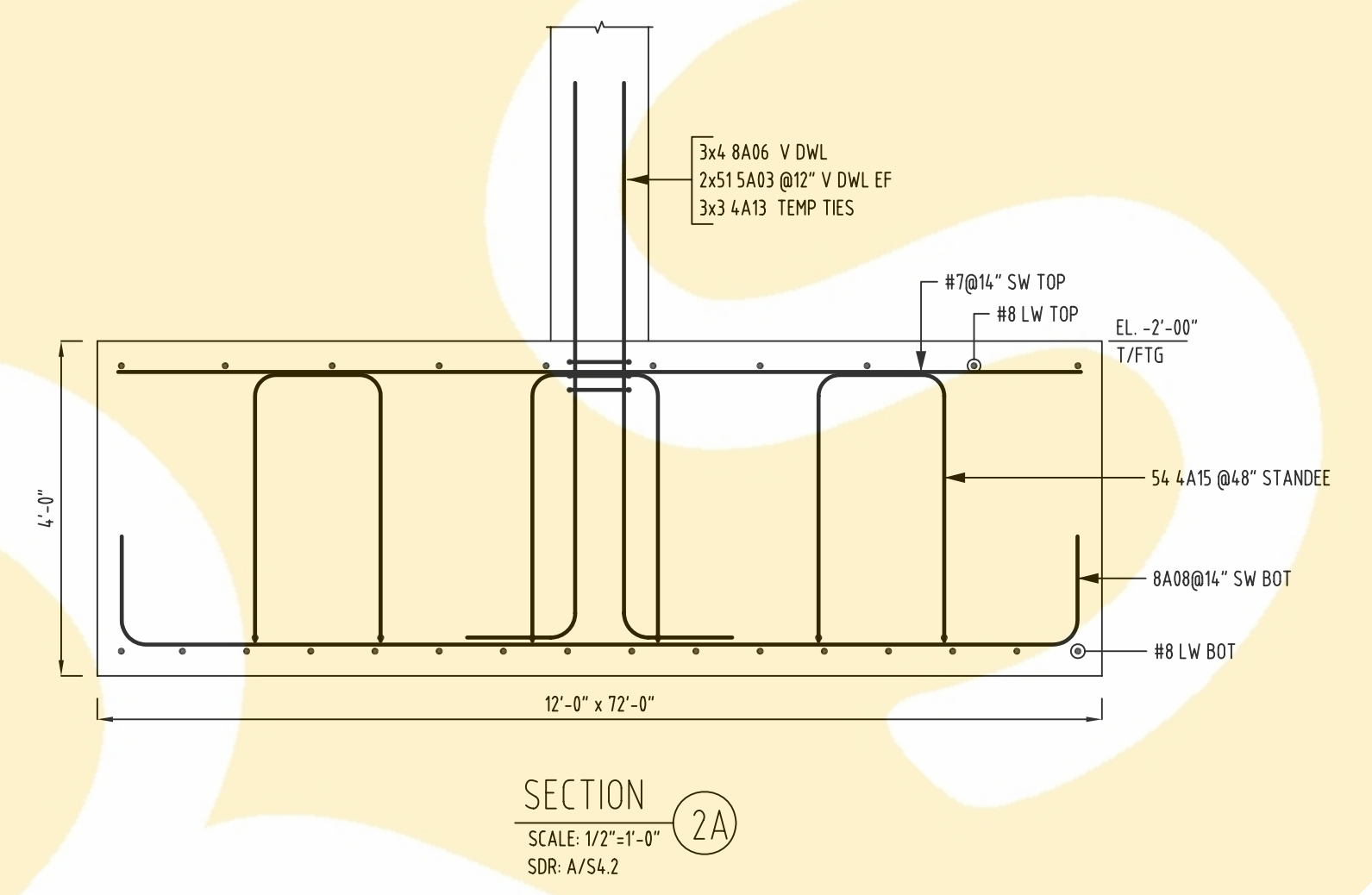
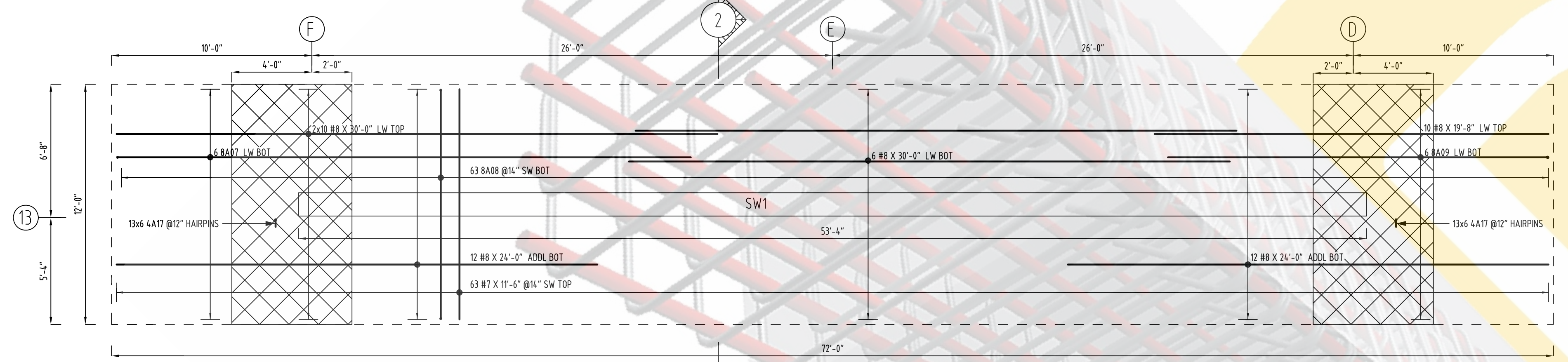
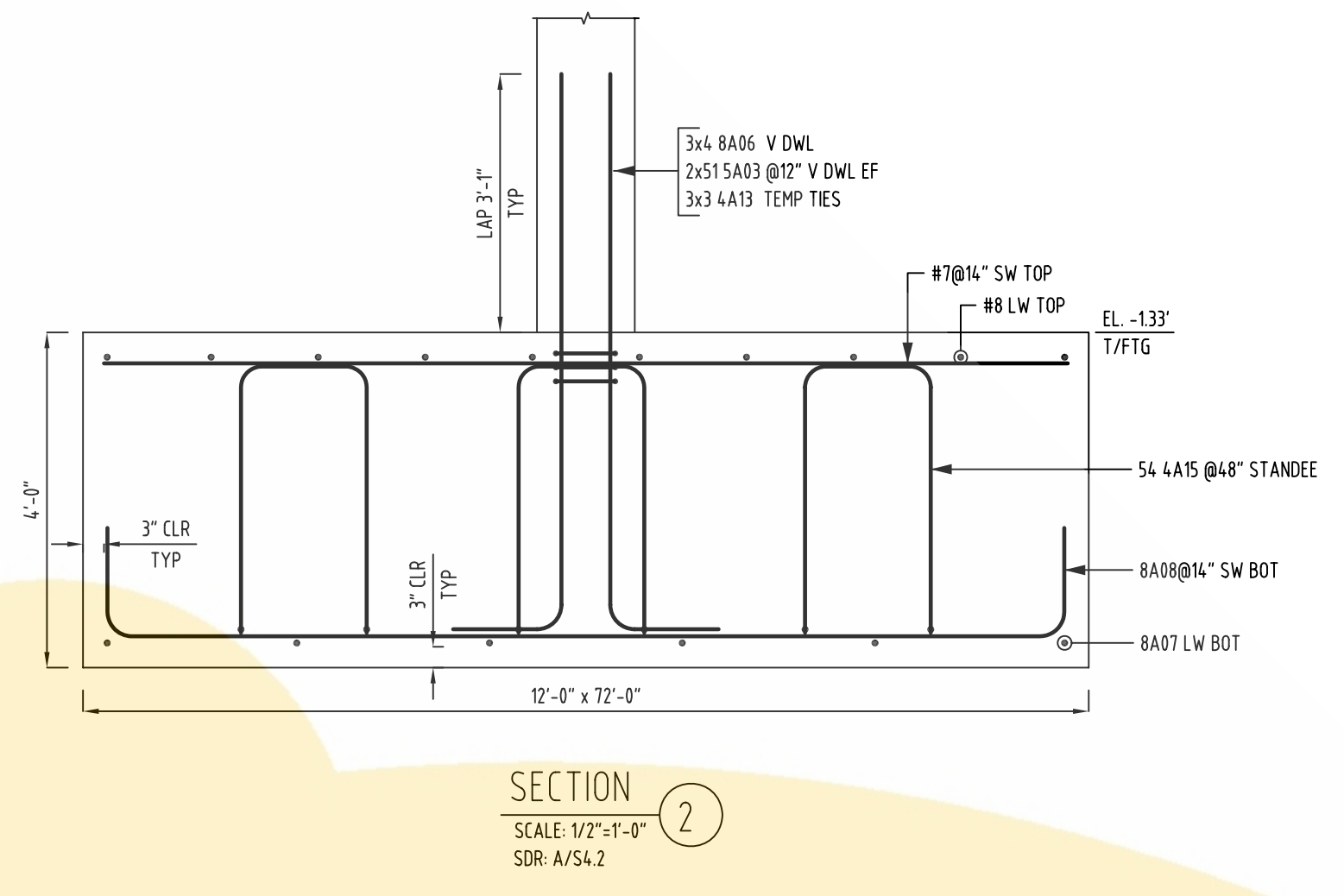
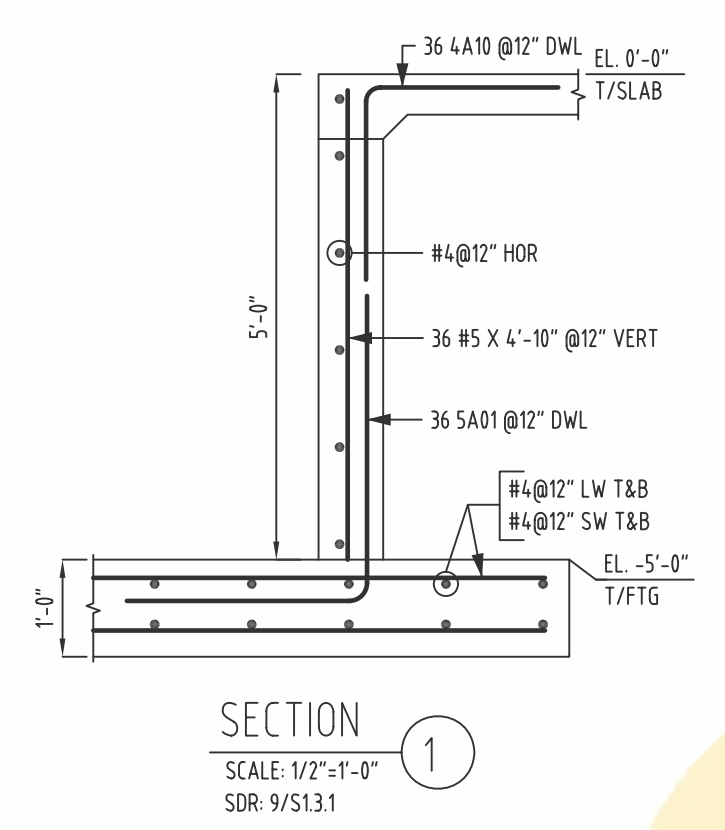
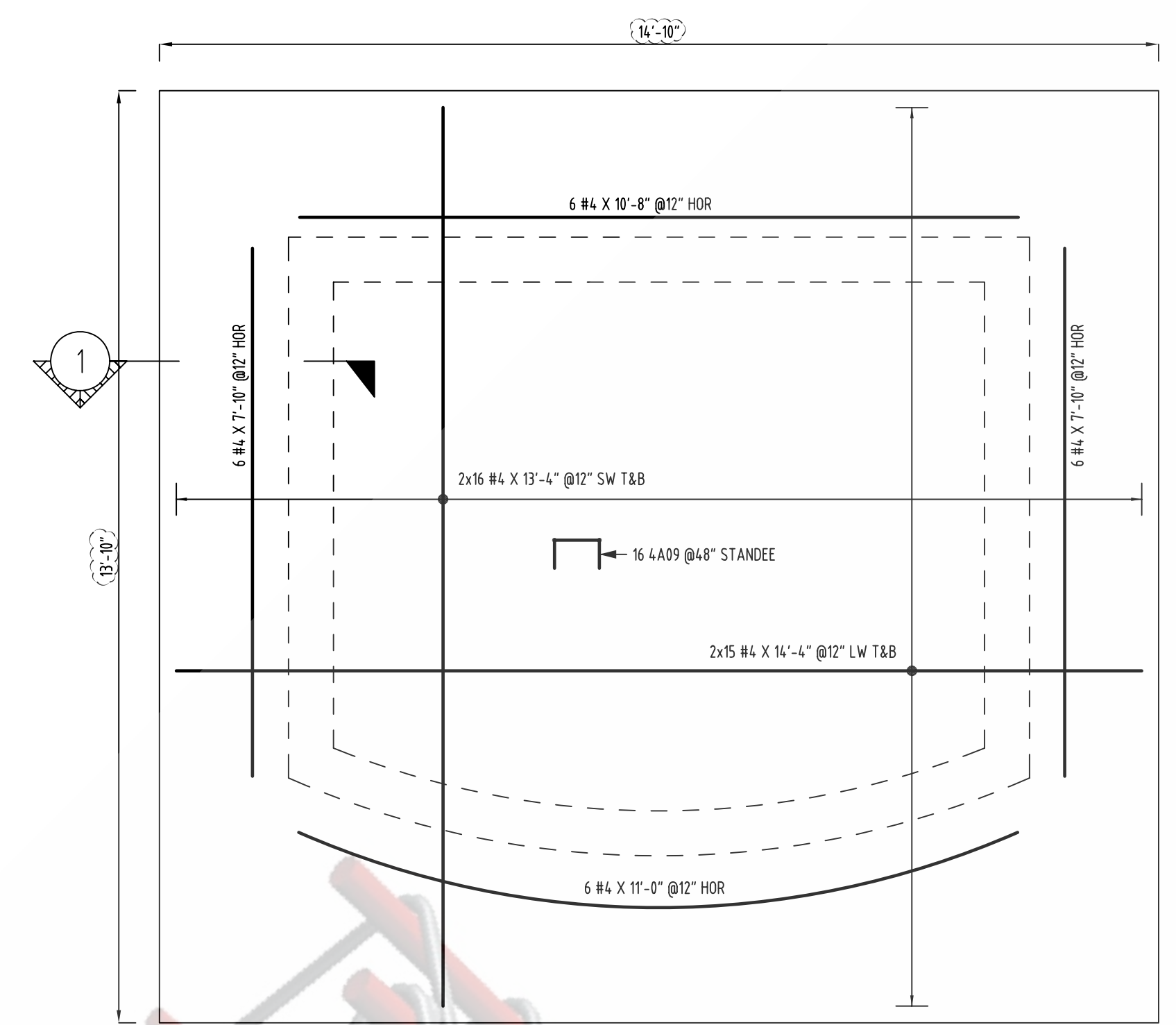
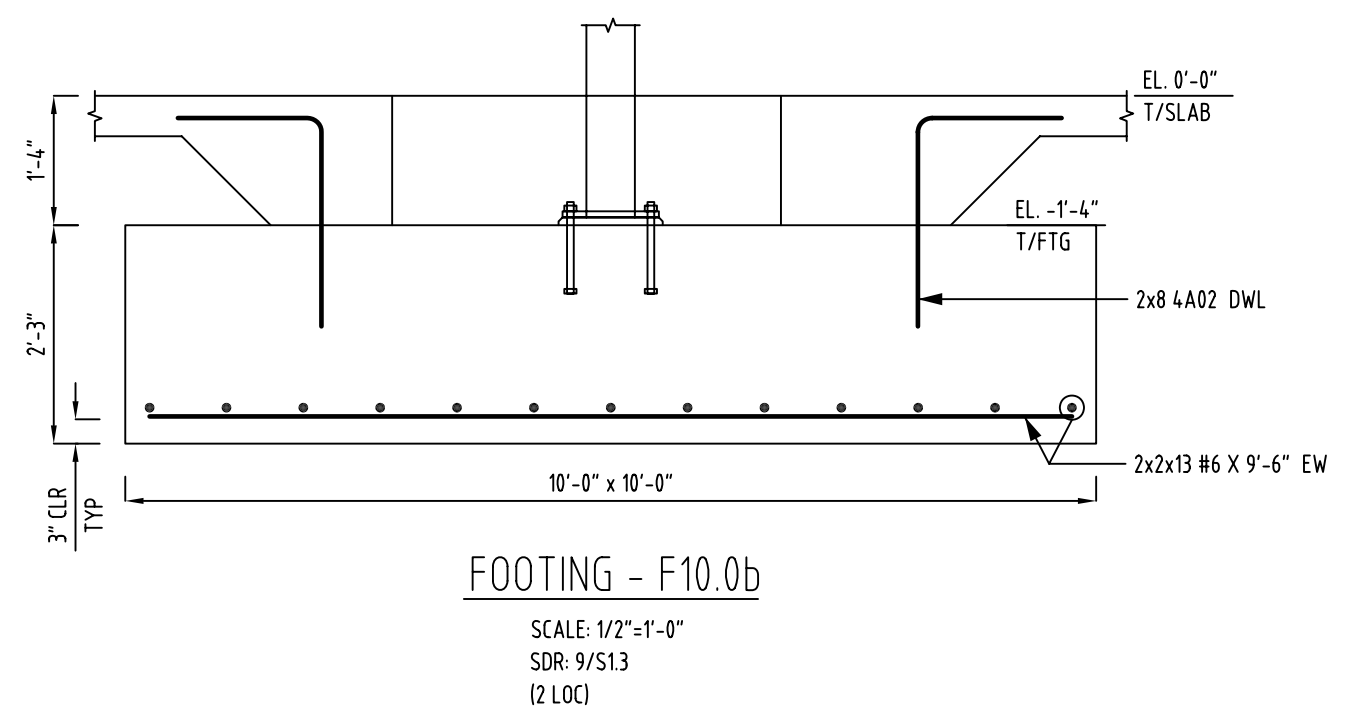
SPREAD FOOTING REBAR LAYOUT
 SCALE: 1/4"=1'-0"
 SDR- SZ.1



ONCE REBAR SERVICES

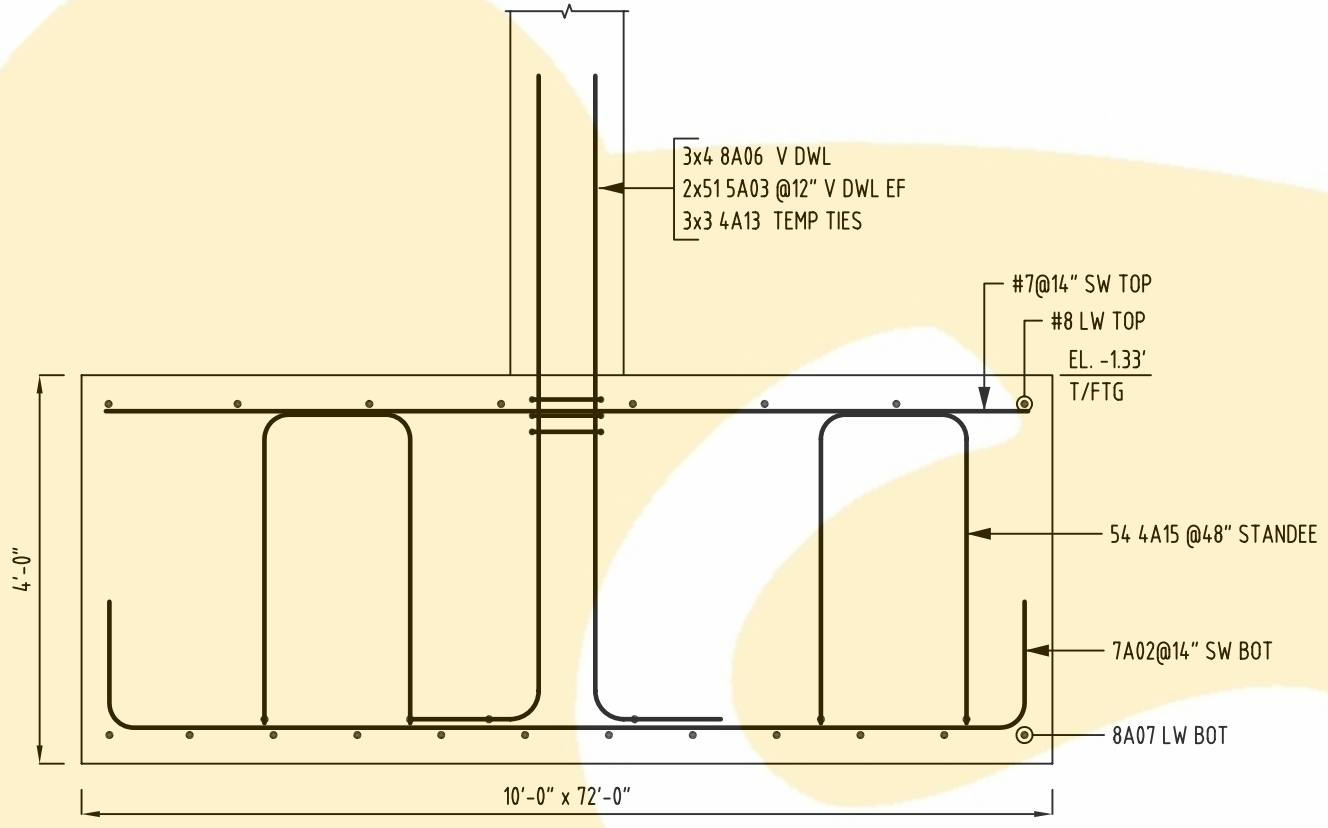
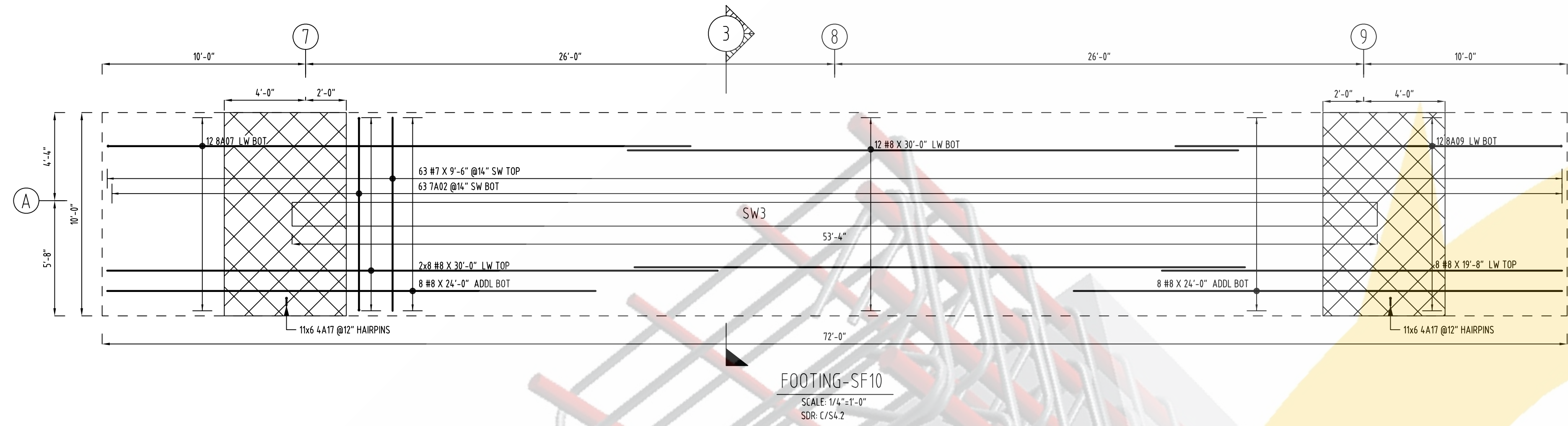
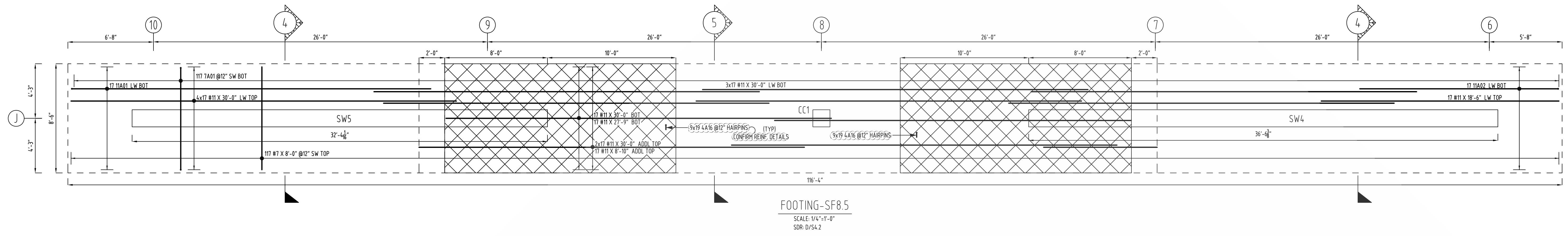


ONCE REBAR SERVICES

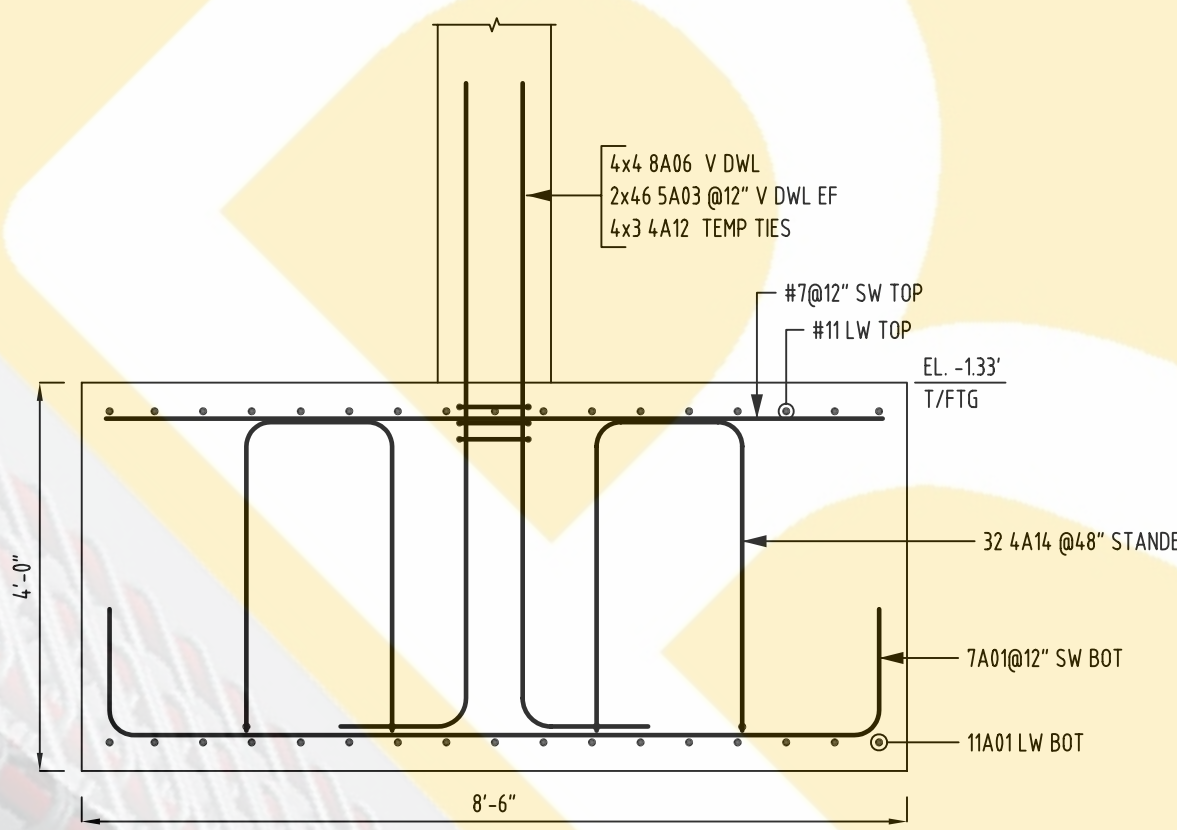


ONCE REBAR SERVICES

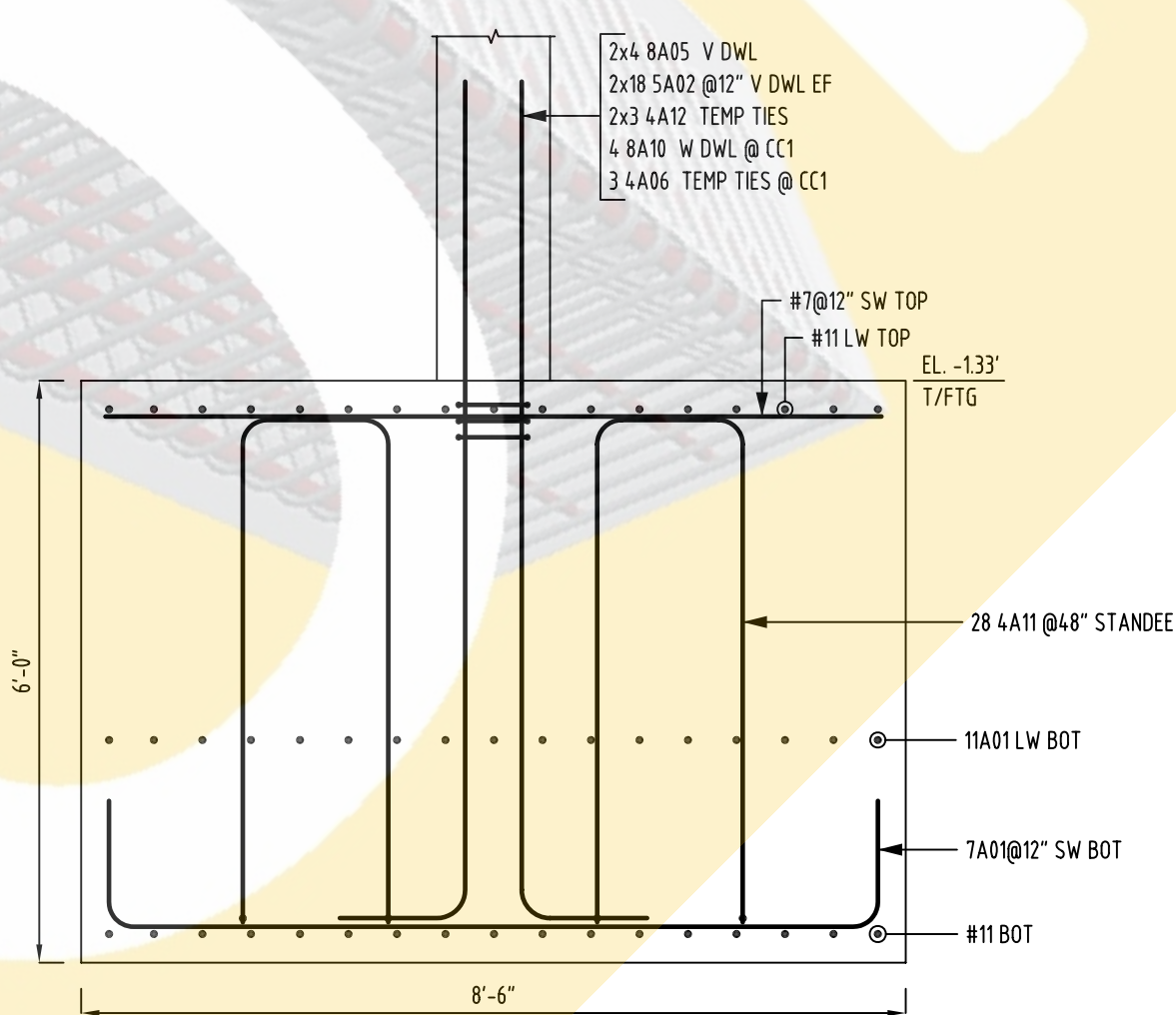
ONCE REBAR SERVICES



SECTION 3
SCALE: 1/2\"/>

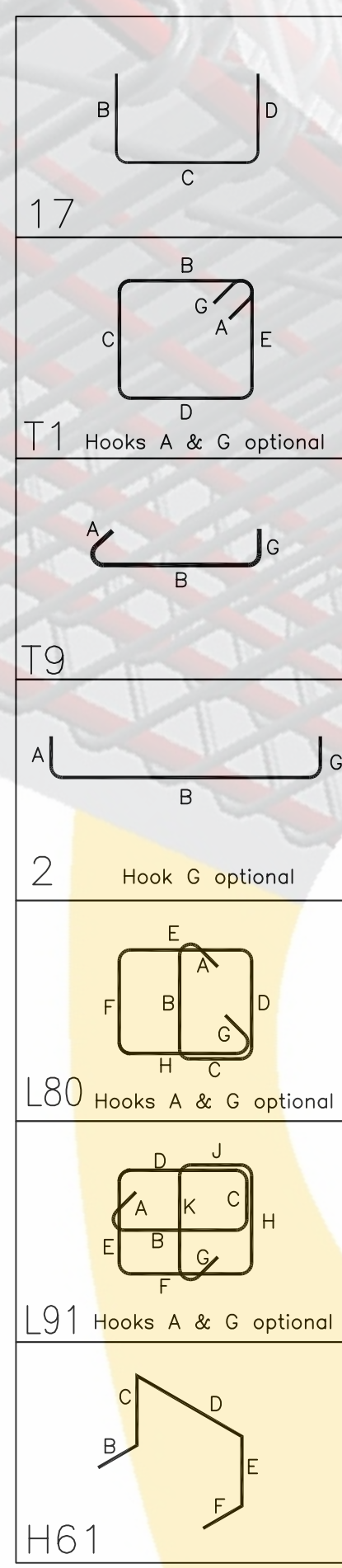


SECTION 4
SCALE: 1/2\"/>



SECTION 5
SCALE: 1/2\"/>

Release Number: R01-R01C		BENDING DETAILS														
Bar Mark	Qty	Size	Total Length	Type	'A'	'B'	'C'	'D'	'E'	'F'	'G'	'H'	'J'	'K'	'O'	'R'
4A01	40	#4	3'-7"	17		2'-1"	1'-6"									
4A02	304	#4	3'-8"	17		2'-2"	1'-6"									
4A03	9	#4	7'-7"	L91	0'-4 1/2"	1'-6"	0'-10"	1'-6"	1'-6"	1'-6"	0'-4 1/2"	1'-6"	0'-10"	1'-6"		
4A04	16	#4	5'-4 1/2"	H61		1'-6"	1'-7 1/2"	0'-8"	1'-7 1/2"	1'-6"						
4A05	16	#4	5'-10"	17		4'-4"	1'-6"									
4A06	186	#4	4'-5"	T1	0'-4 1/2"	0'-11"	0'-11"	0'-11"	0'-11"		0'-4 1/2"					
4A07	6	#4	5'-9"	L80	0'-4 1/2"	0'-10 1/2"	0'-10 1/2"	0'-10 1/2"	1'-6 1/2"	0'-10 1/2"	0'-4 1/2"	1'-6 1/2"				
4A08	20	#4	6'-9 1/2"	H61		1'-6"	2'-3 1/2"	0'-8"	2'-3 1/2"	1'-6"						
4A09	16	#4	3'-0"	H61		1'-6"	0'-5"	0'-8"	0'-5"	1'-6"						
4A10	36	#4	4'-0"	17		2'-0"	2'-0"									
4A11	28	#4	12'-3"	H61		0'-6"	5'-1 1/2"	1'-6"	5'-1 1/2"	0'-6"						
4A12	18	#4	4'-0"	T1	0'-4 1/2"	1'-3"	0'-9"	1'-3"	0'-9"		0'-4 1/2"					
4A13	27	#4	4'-5"	T1	0'-4 1/2"	1'-1"	0'-9"	1'-1"	0'-9"		0'-4 1/2"					
4A14	32	#4	8'-3"	H61		0'-6"	3'-1 1/2"	1'-6"	3'-1 1/2"	0'-6"						
4A15	162	#4	8'-4 1/2"	H61		0'-6"	3'-2 1/2"	1'-6"	3'-2 1/2"	0'-6"						
4A16	342	#4	6'-3"	T9	0'-4 1/2"	5'-6"					0'-4 1/2"					
4A17	444	#4	4'-3"	T9	0'-4 1/2"	3'-6"					0'-4 1/2"					
5A01	36	#5	5'-8"	17		3'-2"	2'-6"									
5A02	36	#5	10'-0"	2	1'-4"	8'-8"										
5A03	398	#5	8'-0"	2	1'-4"	6'-8"										
7A01	117	#7	10'-8"	2	1'-4"	8'-0"					1'-4"					
7A02	63	#7	12'-2"	2	1'-4"	9'-6"					1'-4"					
8A01	8	#8	7'-6"	2	1'-4"	4'-10"					1'-4"					
8A02	48	#8	5'-10"	2	1'-4"	4'-6"										
8A03	168	#8	6'-2"	2	1'-4"	4'-10"										
8A04	48	#8	6'-5"	2	1'-4"	5'-1"										
8A05	8	#8	10'-0"	2	1'-4"	8'-8"										
8A06	52	#8	8'-0"	2	1'-4"	6'-8"										
8A07	34	#8	30'-0"	2	1'-4"	28'-8"										
8A08	126	#8	14'-2"	2	1'-4"	11'-6"					1'-4"					
8A09	34	#8	20'-4"	2	1'-4"	19'-0"										
8A10	4	#8	10'-0"	2	1'-4"	8'-8"										
10A01	6	#10	7'-4"	2	1'-10"	5'-6"										
10A02	6	#10	7'-9"	2	1'-10"	5'-11"										
11A01	17	#11	30'-0"	2	2'-0"	28'-0"										
11A02	17	#11	17'-6"	2	2'-0"	15'-6"										



BAR DIA	f'c=4000 PSI							
	CLASS B				SEISMIC			
	MISC BARS	TOP BARS	MISC BARS	TOP BARS	MISC BARS	TOP BARS	MISC BARS	TOP BARS
#3	Ld	SPLICE	Ld	SPLICE	Ld	SPLICE	Ld	SPLICE
#3	12"	16"	16"	21"	15"	24"	21"	34"
#4	12"	16"	16"	21"	19"	30"	26"	41"
#5	15"	19"	19"	25"	23"	37"	32"	52"
#6	18"	23"	23"	29"	28"	44"	39"	62"
#7	25"	33"	33"	43"	32"	52"	45"	72"
#8	29"	37"	37"	49"	37"	59"	52"	82"
#9	33"	42"	42"	55"	42"	66"	58"	93"
#10	37"	47"	47"	62"	47"	75"	65"	104"
#11	41"	53"	53"	68"	52"	83"	73"	116"